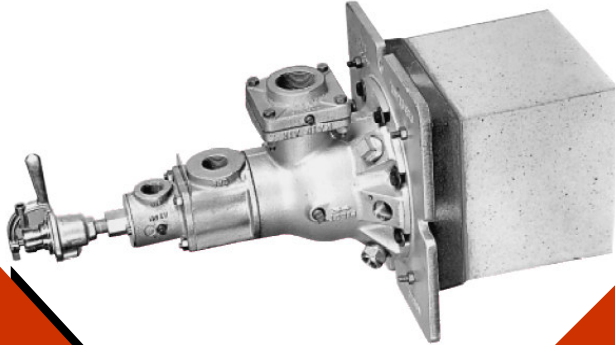




# WESMAN

## 6422XP DUAL FUEL PRODUCER GAS BURNERS

### 6422XP BURNER



**WESMAN 6422XP DUAL FUEL PRODUCER GAS BURNERS** are specially designed for lean gas (calorific value 1100 kcal/m<sup>3</sup>, velocity 12 m/sec) for heat treatment and non-ferrous melting furnaces, kilns, ovens, air heaters, dryers, chemical process equipment and other applications where superior temperature uniformity is required.

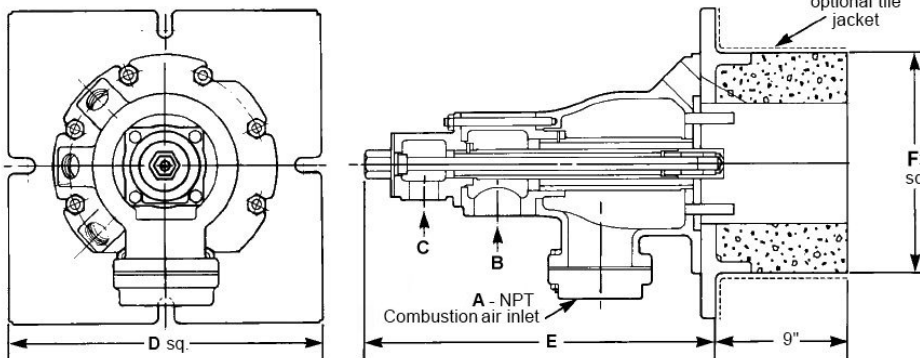
Burners can be lighted at rich, lean or correct air/fuel ratio, then immediately turned to high fire. Required oil pressure at the burner is nearly zero, but a pressure drop of about 0.7kg/cm<sup>2</sup> should be taken across the Sensitrol valve. If the furnace temperature after shutdown rises above 1000°C, pass air through the burner to prevent overheating.

Required gas pressure is 175 to 225 mmwg at burner for producer gas. During gas operation, use at least 175 mmwg atomizing air to cool atomizer (full atomizing air may be used). For extended periods of operation on gas, atomizer can be withdrawn and stored.

#### CONSTRUCTION FEATURES

Air and gas inlets can be rotated in 90° intervals, but air and gas pipes should be brought in from top or side to prevent oil dripping into them. Standard tiles are 23 cm long. For installation convenience, burner body can be separated from mounting plate and tile assembly, but tile must be set in the wall with pilot and flame detector notches in proper location relative to intended burner body position.

Burner Model	Capacity		Combustion Air				Atomizing Air for oil	
			Volume m <sup>3</sup> /hr		Pressure mmwc		Pressure mmwc	Volume m <sup>3</sup> /hr
	PG m <sup>3</sup> /hr	Oil LPH	For gas	For oil	For gas	For Oil		
6422XP-5-B	45	5	57	41	660	352	792	16
6422XP-7A-C	91	10	113	97	878	660	792	16
6422XP-7A-D	136	15	170	154	748	616	792	16



These burners are not suitable for auto-control with either mass flow control or pressure balance control due to presence of tar in producer gas. Gas line accessories such as limiting orifice valve, metering orifice valve and air/gas ratio regulator are not recommended as they may get choked due to tar content. Wesman 6422XP burners are also suitable for use with rich gas by incorporating modified internals.

#### CLEARANCE DIMENSIONS

Burner Model	A	B	C	D	E	F
6422XP-5-B	64 mm	38 mm	25 mm	305 mm	346 mm	216 mm
6422XP-7A-C	102 mm	64 mm	32 mm	343 mm	454 mm	254 mm
6422XP-7A-D	102 mm	64 mm	32 mm	343 mm	454 mm	254 mm

DIMENSIONS ARE SUBJECT TO CHANGE. WESMAN RESERVES THE RIGHT TO MAKE CHANGES IN SPECIFICATIONS AND FEATURES FOR CONTINUOUS DEVELOPEMENT AND IMPROVEMENT.