

# AIR/OIL RATIOTROL



# WESMAN

## COMBUSTION EQUIPMENT

# SERIES 7052

**7052 RATIOTROLS** proportion oil flow to combustion air flow in cross-connected control systems. Outlet oil pressure from the Ratiotrol is proportional to impulse air signal. As combustion air is turned up or down, the Ratiotrol causes oil to follow it in proportion. Desired air/oil ratio is set with a 1813 Sensitrol™ Oil Valve at the burner.

CAPACITY IN LITRES PER HOUR (#2 OIL)

RATIOTROL	AIR IMPULSE PRESSURES			
	8	12	16	24
7052-01	208	253	295	360
7052-01-V	136	170	197	238
7052-0	609	745	859	1037
7052-0-V	382	465	537	647

A single Ratiotrol can serve several burners when it is cross-connected downstream of the zone air control valve if burners are on one side of furnace and difference in their elevation is less than 12".

RECOMMENDED INLET PRESSURE

SIZE	Air Impulse (OSI)	Inlet Pressure (PSIG)
7052-01	6-32	25
	36	30
	40	35
7052-0	6-16	25
	20	30
	24	35
	34	45



### SPECIFICATIONS

MAXIMUM OIL TEMPERATURE:

80°C for standard 7052

150°C for 7052--V (with viton diaphragms)

OPTIONAL GAUGES (AND THERMOMETER):

7052-01: inlet and outlet oil pressure, air impulse pressure

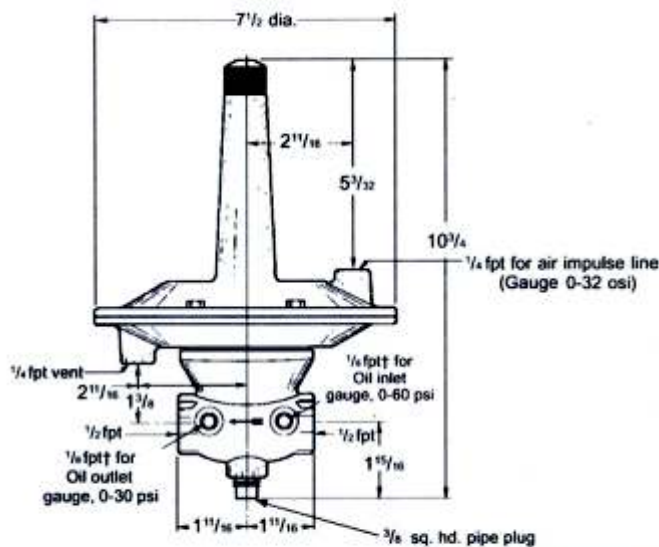
7052-0: inlet and outlet oil pressure, air impulse pressure  
Dial Thermometer

MULTIPLICATION FACTOR

MODEL	LOW FLOW	MAX FLOW
7052-01	9:1	7:1
7052-0	14:1	10.5:1

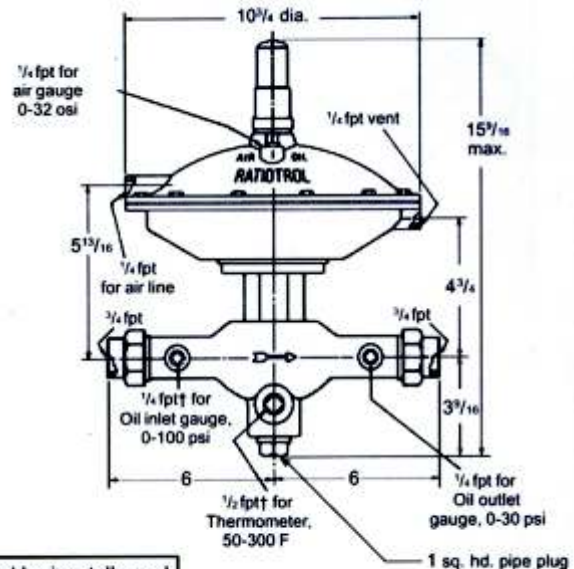
SPRING BIAS

MODEL	PSI
7052-01	+ 1.9/-1.5
7052-0	+ 3.27/-2.5



7052-01 (wt. 3 Kgs.)

Ratiotrols™ must be mounted horizontally, and diaphragm case should be above the pipe.



7052-0 (wt. 11 Kgs.)